

# Professional Medical Consumables Supplier



## Disposable Anesthesia Breathing Circuit

**HISERN**

Web: [www.hisern.com/en](http://www.hisern.com/en)

E-mail: [sales@hisern.com](mailto:sales@hisern.com) / [info@hisern.com](mailto:info@hisern.com)

Tel: +86 0755-86660662

© 2024 Zhejiang Haisheng Medical Device Co., Ltd. All rights are reserved.



LinkedIn



Website

Zhejiang Haisheng Medical Device Co., Ltd. reserves the right to make changes in specifications and/or to discontinue any product at any time without notice or obligation and will not be liable for any consequences resulting from the use of this publication.

HISERNABC00120240001

**HISERN**

# Anesthesia Breathing Circuit

Hisern offers a variety of circuit designs to suit different applications and clinical requirements. These options include corrugated, smoothbore, collapsible, coaxial and duo-limb configurations.

An extensive array of accessories is available, encompassing catheter mounts, reservoir bags, gas sampling lines, filters, anesthesia masks and connectors.

## Collapsible Tubing

- ✓ Adjustable length
- ✓ Easy positioning
- ✓ Space saving for storage and transportation



## Corrugated Tubing

- ✓ Cost-effective, excellent quality
- ✓ Lightweight, high resilience
- ✓ Highly durable, water-resistant



## Smoothbore Tubing

- ✓ Anti-bending performance
- ✓ Lower resistance
- ✓ Improved air flow



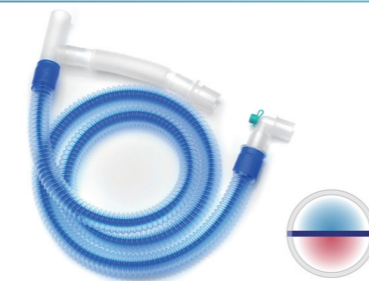
## Coaxial Tubing

- ✓ Dual lumen design
- ✓ Low compliance
- ✓ Heat preservation that reduces heat loss



## Duo-limb Tubing

- ✓ The lowest compliance ensures an efficient gas delivery, especially suitable for low-flow anesthesia
- ✓ Heat preservation that reduces heat loss
- ✓ Lightweight and space-saving

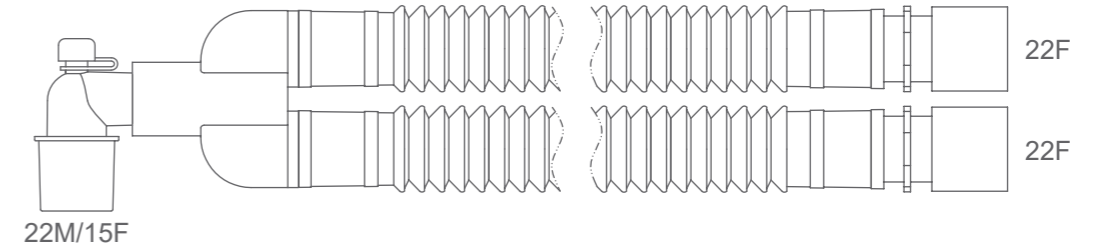


\*Please contact Hisern's sales to determine the ideal configuration for customization needs.

# Anesthesia Circuit

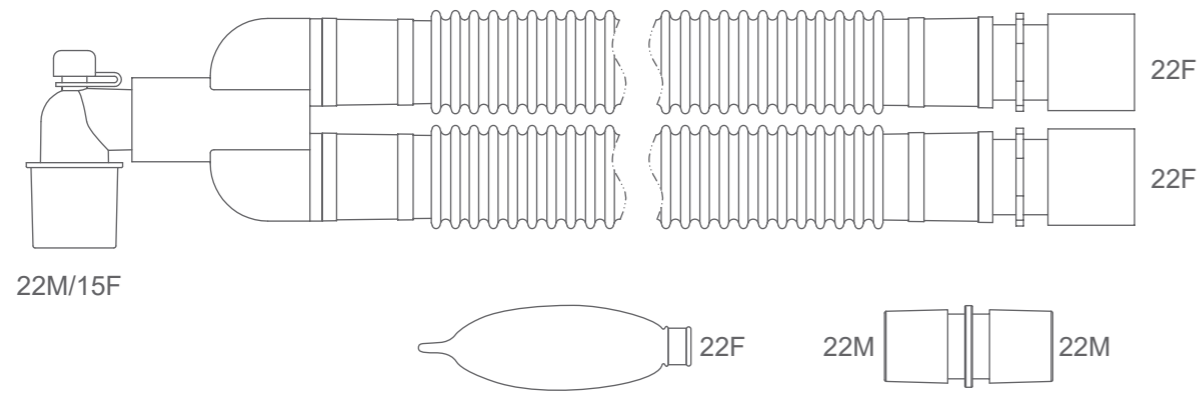
Anesthesia circuits are connected with an anesthesia machine to channel fresh anesthetic gases and oxygen to, and expired gases from a patient.

## Collapsible Circuit



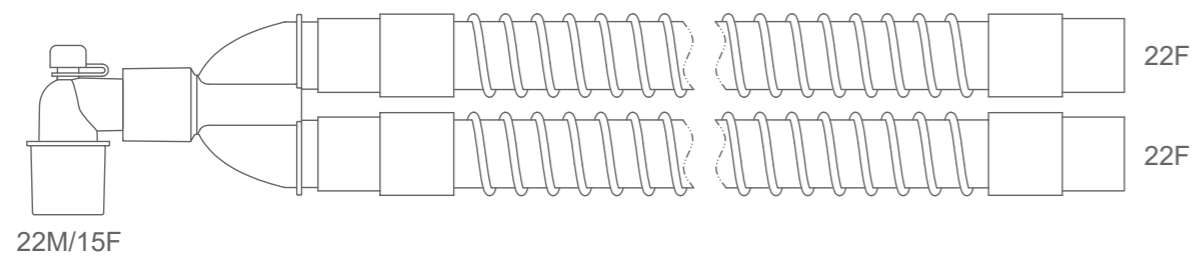
PN	Patient	Length	Bag	Single limb	Pcs/Carton
H00709001	Adult	1.5m	/	/	40
H00709002	Adult	1.6m	/	/	40
H00709003	Adult	1.8m	/	/	40
H00709004	Adult	2.4m	/	/	40
H00709005	Adult	1.6m	3L NBR bag	/	40
H00709006	Adult	1.6m	3L NBR bag	1.6m	40
H00709007	Adult	1.8m	3L NBR bag	/	40
H00709008	Adult	1.8m	3L NBR bag	1.8m	40
H00709029	Adult	1.6m	3L neoprene bag	/	40
H00709030	Adult	1.6m	3L neoprene bag	1.6m	40
H00709031	Adult	1.8m	3L neoprene bag	/	40
H00709032	Adult	1.8m	3L neoprene bag	1.8m	40
H00709009	Pediatric	1.5m	/	/	50
H00709010	Pediatric	1.6m	/	/	50
H00709011	Pediatric	1.8m	/	/	50
H00709012	Pediatric	2.4m	/	/	50
H00709013	Pediatric	1.6m	1L NBR bag	/	50
H00709014	Pediatric	1.6m	1L NBR bag	1.6m	50
H00709033	Pediatric	1.6m	1L neoprene bag	/	50
H00709034	Pediatric	1.6m	1L neoprene bag	1.6m	50

## Corrugated Circuit



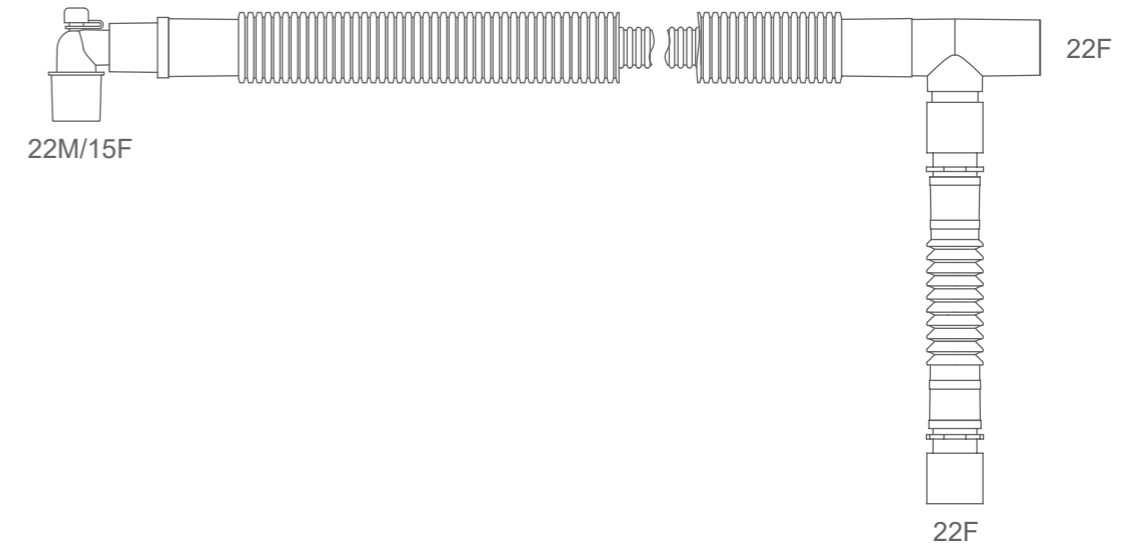
PN	Patient	Length	Bag	Pcs/Carton
H00709015	Adult	1.6m	/	20
H00709016	Adult	1.8m	/	20
H00709017	Adult	2.4m	/	15
H00709018	Adult	1.6m	3L NBR bag	20
H00709035	Adult	1.6m	3L neoprene bag	20
H00709019	Pediatric	1.6m	/	20
H00709020	Pediatric	1.8m	/	20
H00709021	Pediatric	1.6m	1L NBR bag	20
H00709036	Pediatric	1.6m	1L neoprene bag	20

## Smoothbore Circuit



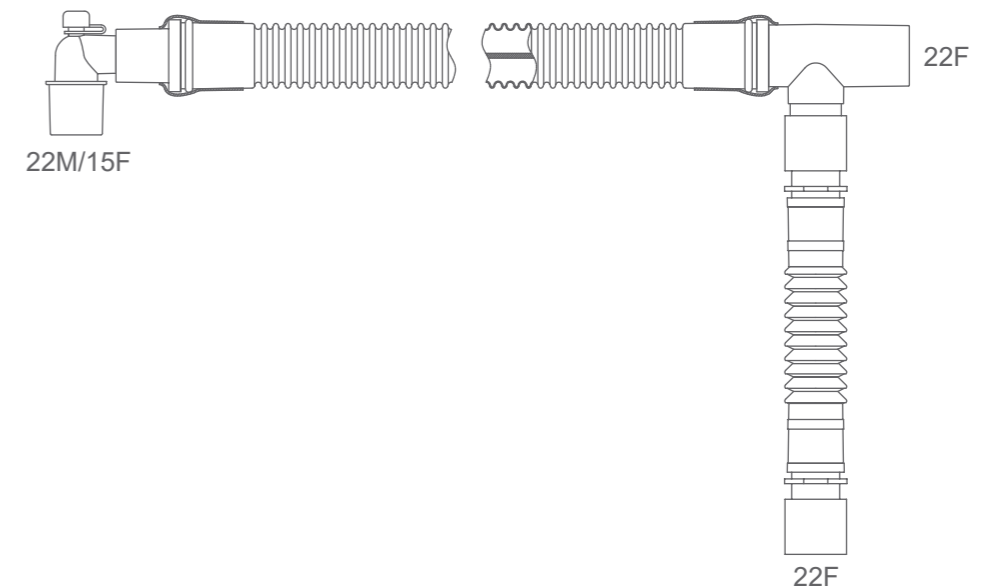
PN	Patient	Length	Pcs/Carton
H00709022	Adult	1.6m	20
H00709023	Adult	1.8m	20

## Coaxial Circuit



PN	Patient	Length	Limb (collapsible)	Pcs/Carton
H00709024	Adult/pediatric	1.5m	0.4m	20
H00709025	Adult/pediatric	1.8m	0.4m	20
H00709026	Adult/pediatric	2.4m	0.4m	15

## Duo-limb Circuit



PN	Patient	Length	Limb (collapsible)	Pcs/Carton
H00709027	Adult/pediatric	1.5m	0.4m	30
H00709028	Adult/pediatric	1.8m	0.4m	30

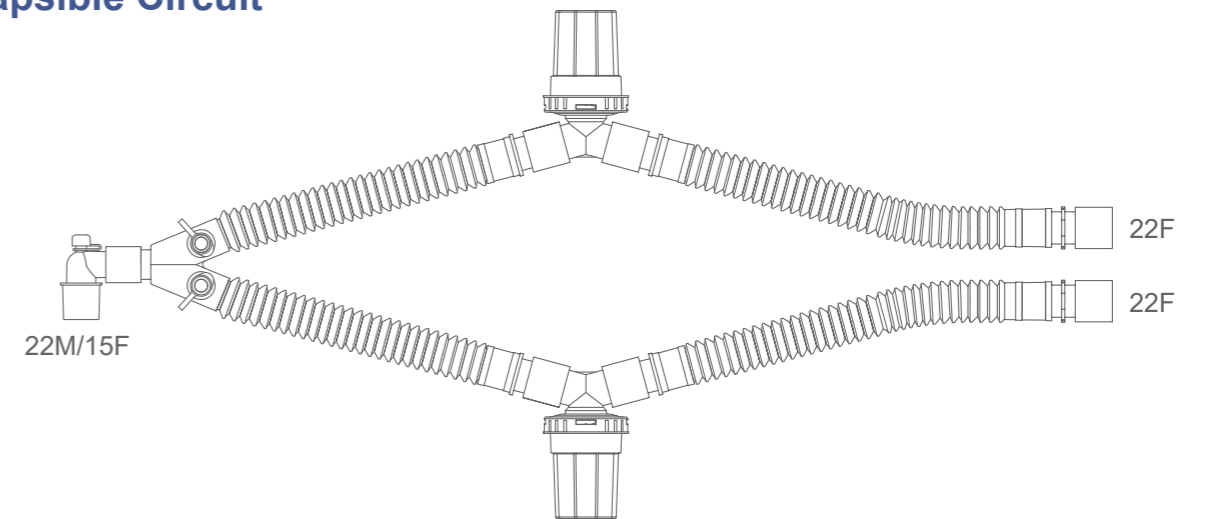


## Breathing Circuit

Breathing circuits are connected with a ventilator to channel fresh oxygen to, and expired gases from a patient.

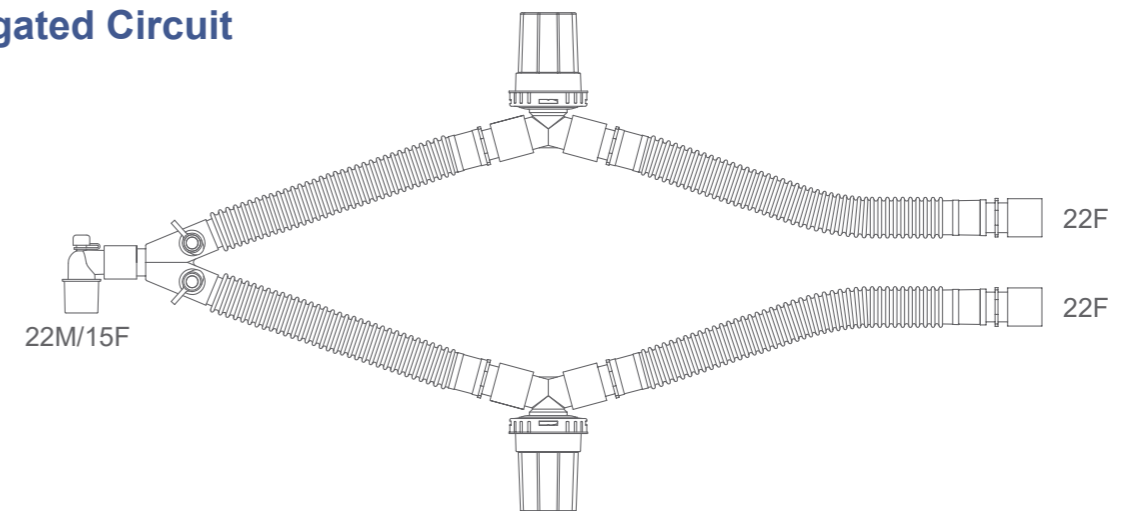
Hisern offers 3 types of tubing for breathing circuits, including corrugated, smoothbore and collapsible configurations.

### Collapsible Circuit



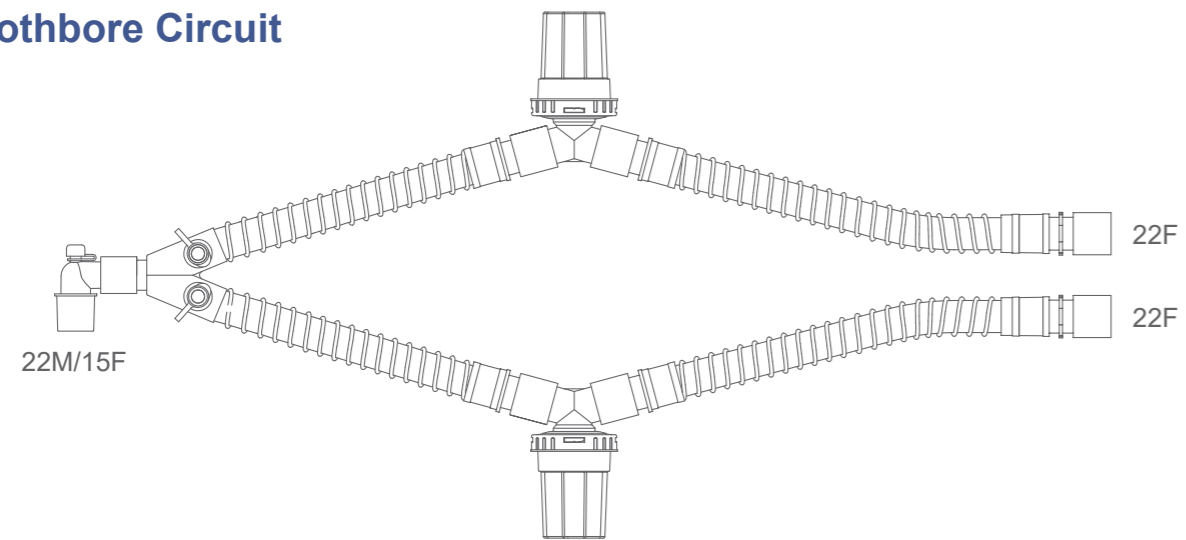
PN	Patient	Length	Water Trap	Pcs/Carton
H00710001	Adult	1.5m	2	20
H00710002	Adult	1.8m	2	20
H00710003	Pediatric	1.5m	2	20
H00710004	Pediatric	1.8m	2	20

### Corrugated Circuit



PN	Patient	Length	Water Trap	Pcs/Carton
H00710005	Adult	1.5m	2	10
H00710006	Adult	1.8m	2	10
H00710007	Pediatric	1.5m	2	15
H00710008	Pediatric	1.8m	2	15

## Smoothbore Circuit

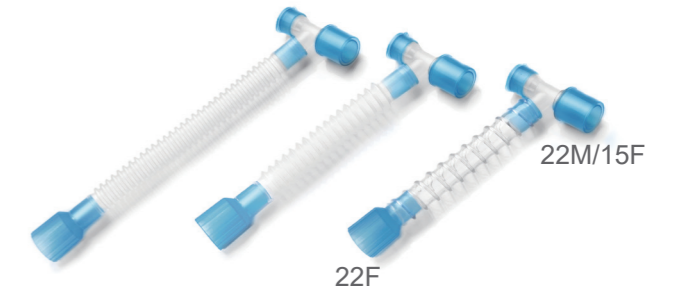


PN	Patient	Length	Water Trap	Pcs/Carton
H00710009	Adult	1.5m	2	15
H00710010	Adult	1.8m	2	15
H00710011	Pediatric	1.5m	2	15
H00710012	Pediatric	1.8m	2	15



## Catheter Mount

- ✓ Reduce weight pressure on patients
- ✓ 360°rotating design for easy positioning
- ✓ Compatible with 3-6mm fiber bronchoscopy
- ✓ Tubing available: corrugated, smoothbore, collapsible



PN	Product Description	Pcs/Carton
H00708012	Catheter mount, 0.15m, collapsible	100
H00708013	Catheter mount, 0.15m, corrugated	100
H00708014	Catheter mount, 0.15m, smoothbore	100

## Gas Sampling Line

- ✓ Designed for CO<sub>2</sub> level detection
- ✓ Optional male / female connector
- ✓ Customizable line length



PN	Product Description	Pcs/Carton
H00708009	Gas sampling line, 2.5m, male-to-male luer	600
H00708010	Gas sampling line, 3.0m, male-to-male luer	600

# NBR Reservoir Bag



- ✓ Nitrile Butadiene Rubber Reservoir Bag
- ✓ Smooth textured surface
- ✓ Latex or latex-free

PN	Product Description	Pcs/Carton
H00708001	Reservoir bag, 0.5L, latex-free	100
H00708002	Reservoir bag, 1.0L, latex-free	100
H00708003	Reservoir bag, 2.0L, latex-free	100
H00708004	Reservoir bag, 3.0L, latex-free	100
H00708005	Reservoir bag, 0.5L, latex-free, straight adaptor connector	100
H00708006	Reservoir bag, 1.0L, latex-free, straight adaptor connector	100
H00708007	Reservoir bag, 2.0L, latex-free, straight adaptor connector	100
H00708008	Reservoir bag, 3.0L, latex-free, straight adaptor connector	100

# Neoprene Reservoir Bag



- ✓ Made from a latex-free polychloroprene
- ✓ International standard 22F universal connector
- ✓ Greater resistance to expansion pressure

PN	Product Description	Pcs/Carton
H00708015	Neoprene reservoir bag, 0.5L, latex-free	100
H00708016	Neoprene reservoir bag, 1.0L, latex-free	100
H00708017	Neoprene reservoir bag, 2.0L, latex-free	100
H00708018	Neoprene reservoir bag, 3.0L, latex-free	100
H00708019	Neoprene reservoir bag, 0.5L, latex-free, straight adaptor connector	100
H00708020	Neoprene reservoir bag, 1.0L, latex-free, straight adaptor connector	100
H00708021	Neoprene reservoir bag, 2.0L, latex-free, straight adaptor connector	100
H00708022	Neoprene reservoir bag, 3.0L, latex-free, straight adaptor connector	100

# Circuit Fittings

